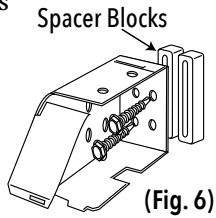


2 1/2" Blind Installation

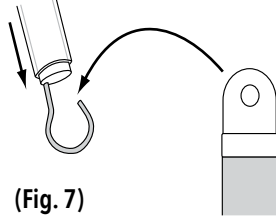
Spacer Blocks

The slat on a 2 1/2" blind extends beyond the back of the headrail. Spacer blocks must be used for all outside mount applications (Fig. 6). For inside mount applications there must be a minimum of 1/4" between the back of the headrail and any obstruction.



Tilt Wand Attachment

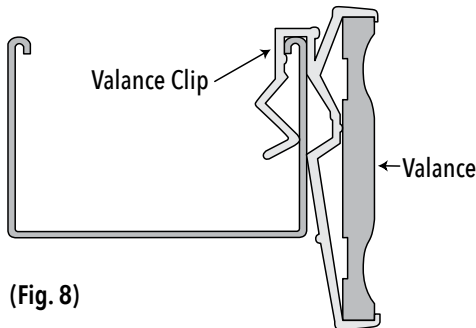
Attach wand tip over the end of the tilter hook (Fig. 7).



Valance Attachment

Blinds will be shipped with valance clips (Fig. 8).

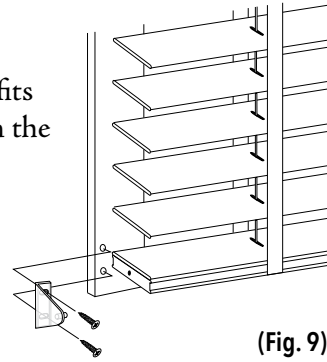
Important: Valances Clips must be attached to headrail before installing the blind.



If using returns attach returns to valance.
Then snap valance into clips

Hold Down Brackets

Hold Down Bracket fits into predrilled hole in the bottom rail to secure the bottom rail in place (Fig. 9). (Usually used on door blinds.)



Care and Cleaning

Dusting

Wood blinds should be dusted regularly. Use a soft, clean cloth or dusting mitt. Lower the blind to its full length, tilt the slats almost all the way down and dust. Then tilt the blinds almost all the way up and dust. Not fully closing the slats allows dusting where the slats overlap.

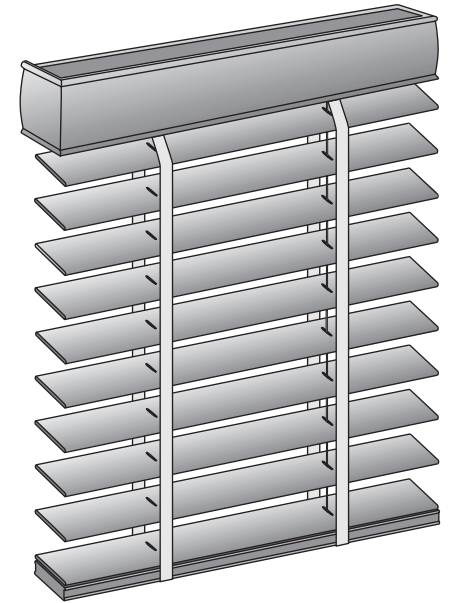
Vacuuming

Blinds may also be cleaned by vacuuming with the brush attachment of a vacuum cleaner, tilting the blinds up and down as described.

Important: Ultrasonic cleaning of wood blinds is not recommended.



Pinnacle Cordless Blind Installation Instructions



Abbington Custom Wood Blinds Camden Custom Faux Wood Blinds

Mounting Brackets

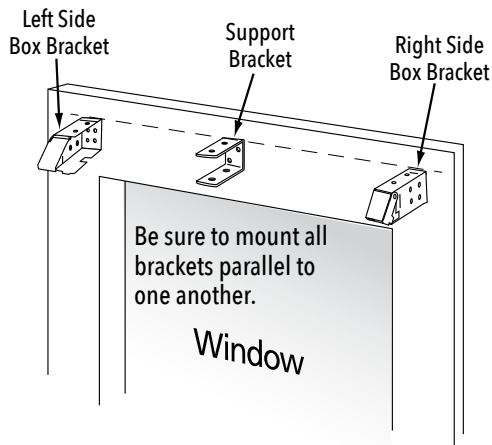
Box style mounting brackets are designed to work in most mounting applications.

Mount brackets as shown (Fig. 1). Use all brackets supplied. Blinds over 48" wide must have one support bracket and blinds over 72" must have two. Space the support brackets as evenly as possible between the two end brackets. There should be no more than 48" between any two brackets.

Important: Avoid positioning support brackets in line with blind ladders or tapes.

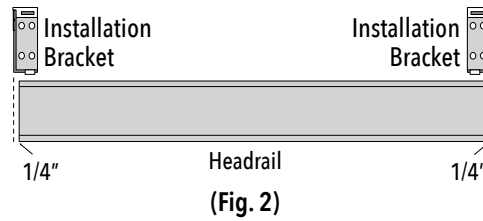
Use two screws to attach each support bracket. Locate screws diagonally. Align the support brackets with the installation brackets.

(Fig. 1)

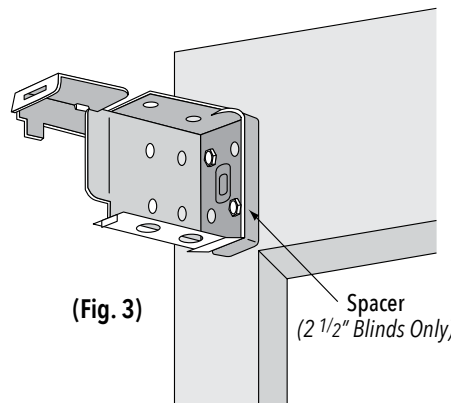


Outside Mount

Mark where to attach the two installation brackets. Hold the blind up to the window in the position where it will be installed (Fig. 2). With the blind centered and level, mark the surface $\frac{1}{4}$ " past each end of the headrail.



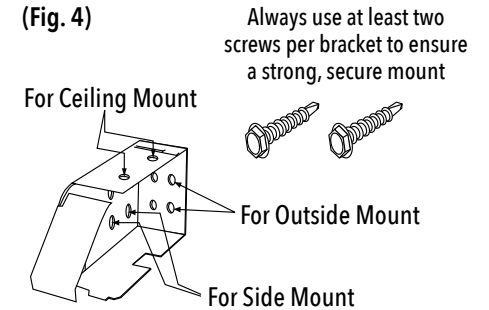
Attach the installation brackets to the wall or molding with two screws. Position the screws diagonally (Fig. 3). Note that spacers are used with $2\frac{1}{2}$ " blinds only.



Screw Holes

Use at least two screws per bracket to ensure a strong, secure mount (Fig. 4).

(Fig. 4)



Brackets Required

- All blinds require two brackets.
- All 2 on 1 blinds receive one center support bracket.
- All 3 on 1 blinds receive two support brackets.

Install the Blind

Attach the valance clips before installing the headrail.

Position the headrail in the box brackets. Swing the covers down and snap them closed (Fig. 5).

